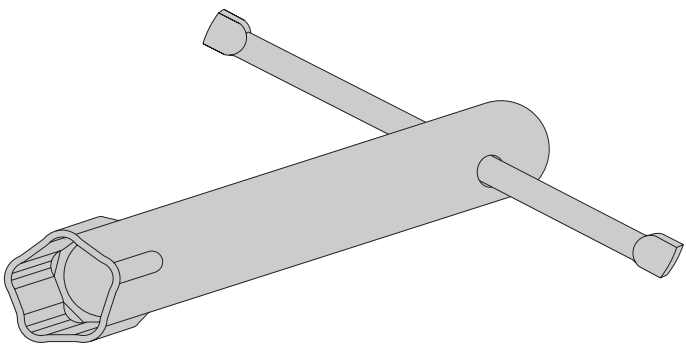
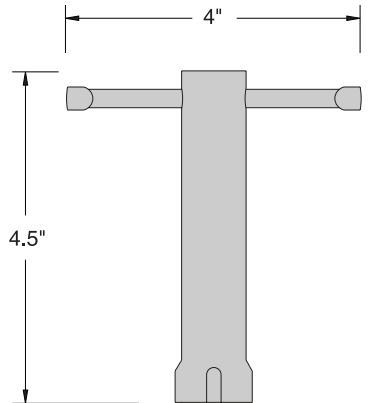


Penta Wrench

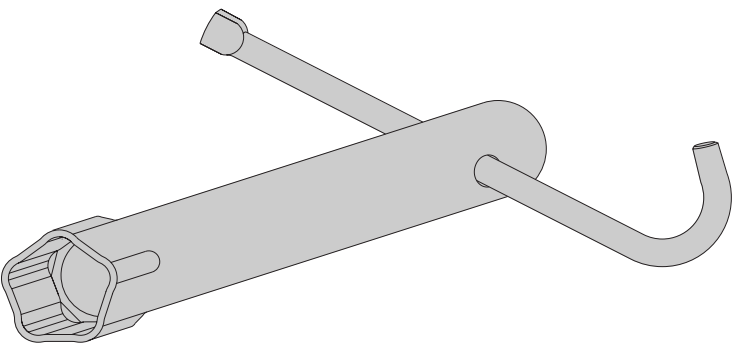
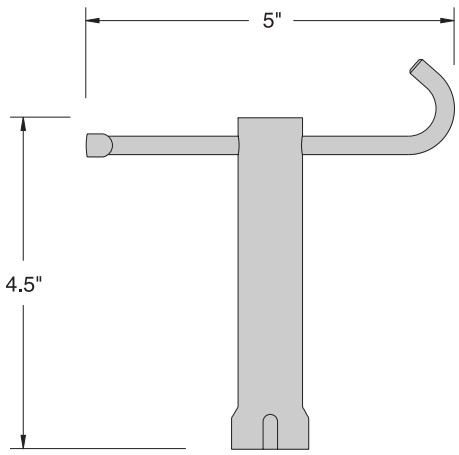


Penta



Hex

Catalog Number	Description	Material
6201-PW10	"T" Type Penta Wrench	0.0625 Wall Light Galv. Mild Steel with 0.25" Dia. Stainless Steel T-Handle
6201-HW10	"T" Type Hex Wrench	0.0625 Wall Light Galv. Mild Steel with 0.25" Dia. Stainless Steel T-Handle



Penta

Catalog Number	Description	Material
6201-PW15	"T" Type Penta Wrench with Lift Hook	0.0625 Wall Light Galv. Mild Steel with 0.25" Dia. Stainless Steel T-Handle