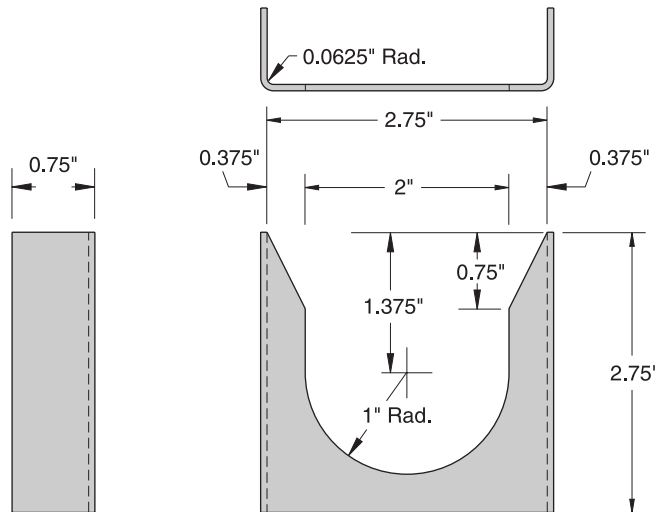


Non-Loadbreak Parking Stand

- Standard pocket dimensions
- Heavy construction
- Stainless steel Parking Stand of weld-on design

Catalog No.	Description	Material
6101-151-PS	Parking Stand	0.125" #304L Stainless Steel



Loadbreak Parking Stand

- Standard pocket dimensions
- Heavy construction
- Aluminum, stainless or mild steel Parking Stand of weld-on design

Catalog No.	Description	Material
6101-PS1	Parking Stand	16-Gauge #304L Stainless Steel
6101-PS2	Parking Stand	12-Gauge Mild Steel
6101-PS3	Parking Stand	12-Gauge #304L Stainless Steel
6101-PS4	Parking Stand	0.10" #5052H32 Aluminum



Parking Stands
Weld-on Design

Descriptive
Bulletin
6101
Page 2 2001

**If you do not find the design
you need
PLEASE CONTACT
our REPRESENTATIVE or the FACTORY**