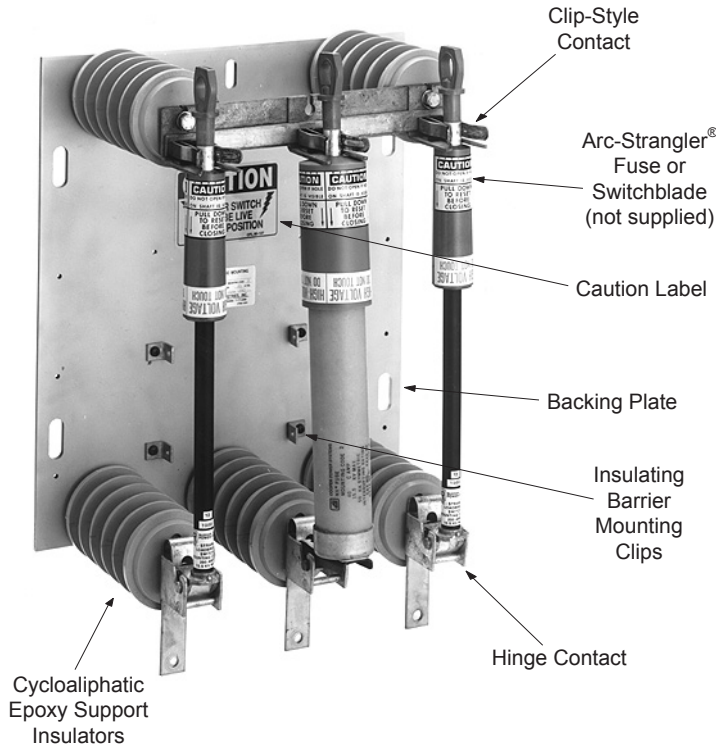
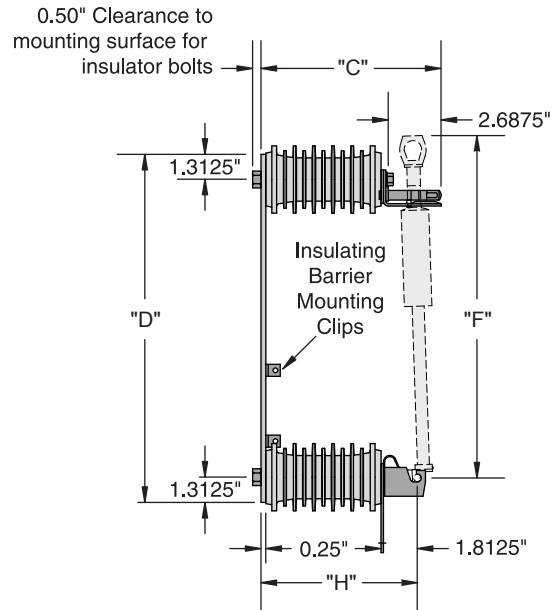
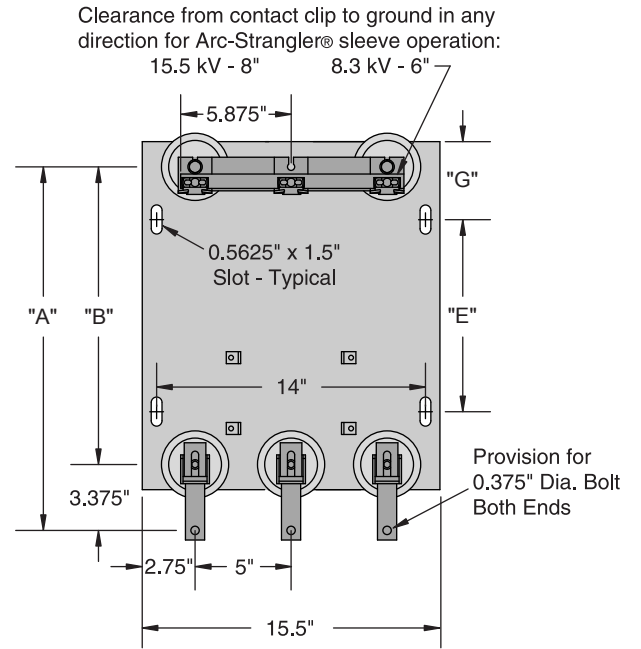


## Single-Phase Hinge-Style Mounting



Insulating Barriers are required to meet ratings and must be ordered separately (see Bulletin #3801).

A 5 x 3.5 inch label with the following wording accompanies all frame and box mounting assemblies: "WARNING - Shock Hazard! Fuse or Switch may be live in open position."



### Ratings and Dimensions of Frame Mountings for Hinge-Style NX® Fuses (with Arc-Strangler® Loadbreaking Device) or Arc-Strangler® Switchblade

Maximum Design Voltage kV	BIL kV	Mounting Code Number*	Catalog Number		Dimensions Inches							
			110° Opening	180° Opening	"A"	"B"	"C"	"D"	"E"	"F"	"G"	"H"
8.3	95	1	EFA1E1	EFAA1E1	14.5	11.125	9.3125	13.75	5	13.3125	4.375	8.1875
15.5	95	2	EFA1E2	EFAA1E2	18.875	15.5	9.3125	18.125	10	17.8125	4.0625	8.1875
15.5	125	2	EFA1E3	-	18.875	15.5	10.8125	18.125	10	17.8125	4.0625	9.6875

\*Code Number of Mounting must match Code Number of Fuse or Switchblade

NX® and Arc-Strangler® are registered trademarks of Eaton in the U.S. and other countries



**Fuse Mountings**  
For Indoor Current-Limiting Fuses

Descriptive  
Bulletin  
**3202**  
Page 2 2015

**If you do not find the design  
you need  
PLEASE CONTACT  
our REPRESENTATIVE or the FACTORY**