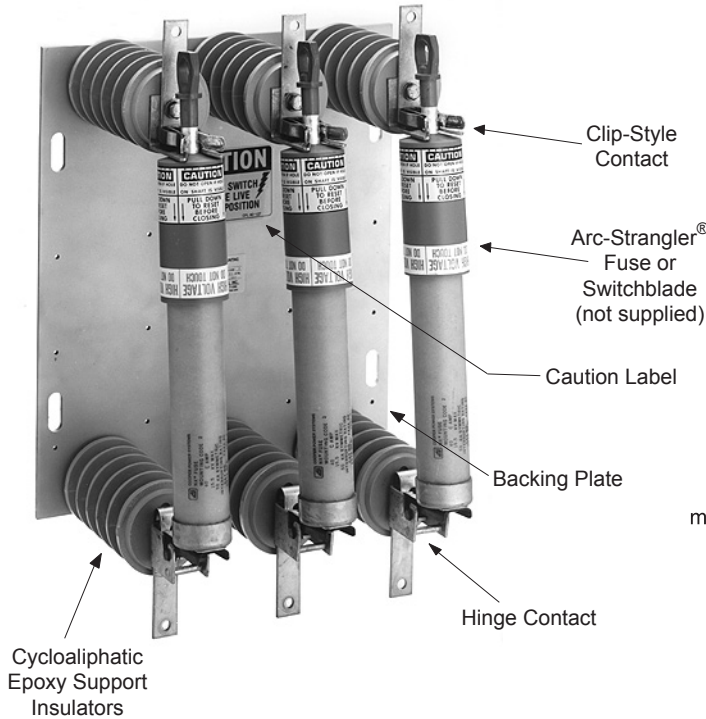
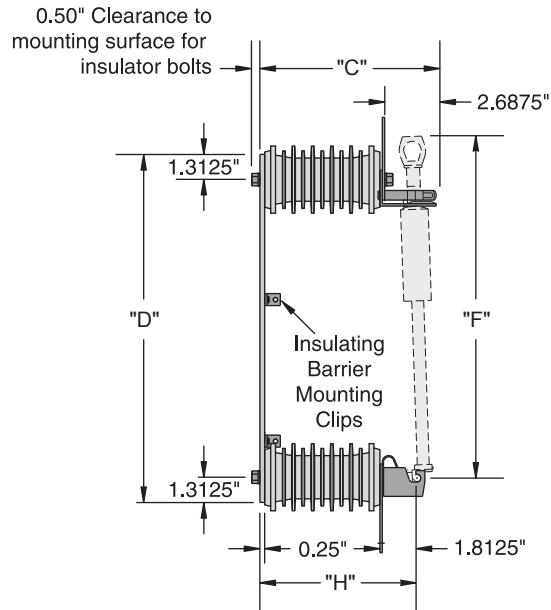
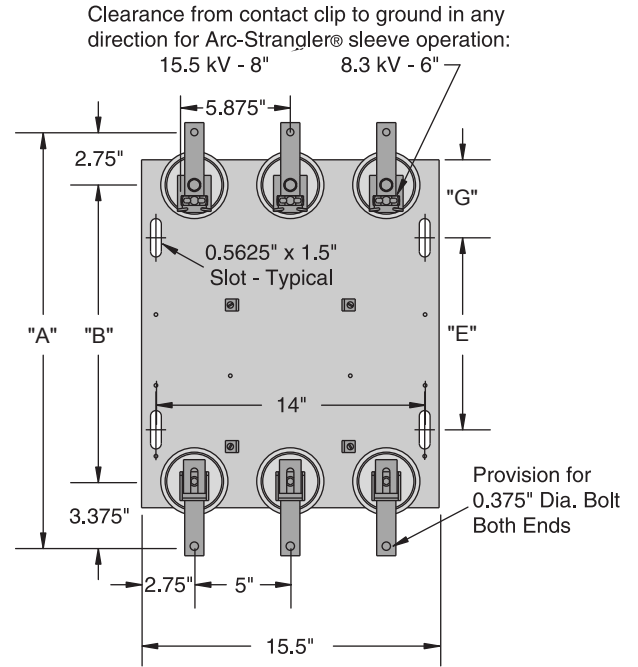


Three-Phase Hinge-Style Mounting



Insulating Barriers are required to meet ratings and must be ordered separately (see Bulletin #3801).

A 5 x 3.5 inch label with the following wording accompanies all frame and box mounting assemblies: "WARNING - Shock Hazard! Fuse or Switch may be live in open position."



Ratings and Dimensions of Frame Mountings for Hinge-Style NX® Fuses (with Arc-Strangler® Loadbreaking Device) or Arc-Strangler® Switchblade

Maximum Design Voltage kV	BIL kV	Mounting Code Number*	Catalog Number		Dimensions Inches							
			110° Opening	180° Opening	"A"	"B"	"C"	"D"	"E"	"F"	"G"	"H"
8.3	95	1	EFA1F1	EFAA1F1	17.25	11.125	9.1875	13.75	5	13.3125	4.375	8.1875
15.5	95	2	EFA1F2	EFAA1F2	21.625	15.5	9.1875	18.125	10	17.8125	4.0625	8.1875
15.5	125	2	EFA1F3	--	21.625	15.5	10.6875	18.125	10	17.8125	4.0625	9.6875

*Code Number of Mounting must match Code Number of Fuse or Switchblade

NX® and Arc-Strangler® are registered trademarks of Eaton in the U.S. and other countries



Fuse Mountings
For Indoor Current-Limiting Fuses

Descriptive
Bulletin
3201
Page 2 2015

**If you do not find the design
you need
PLEASE CONTACT
our REPRESENTATIVE or the FACTORY**