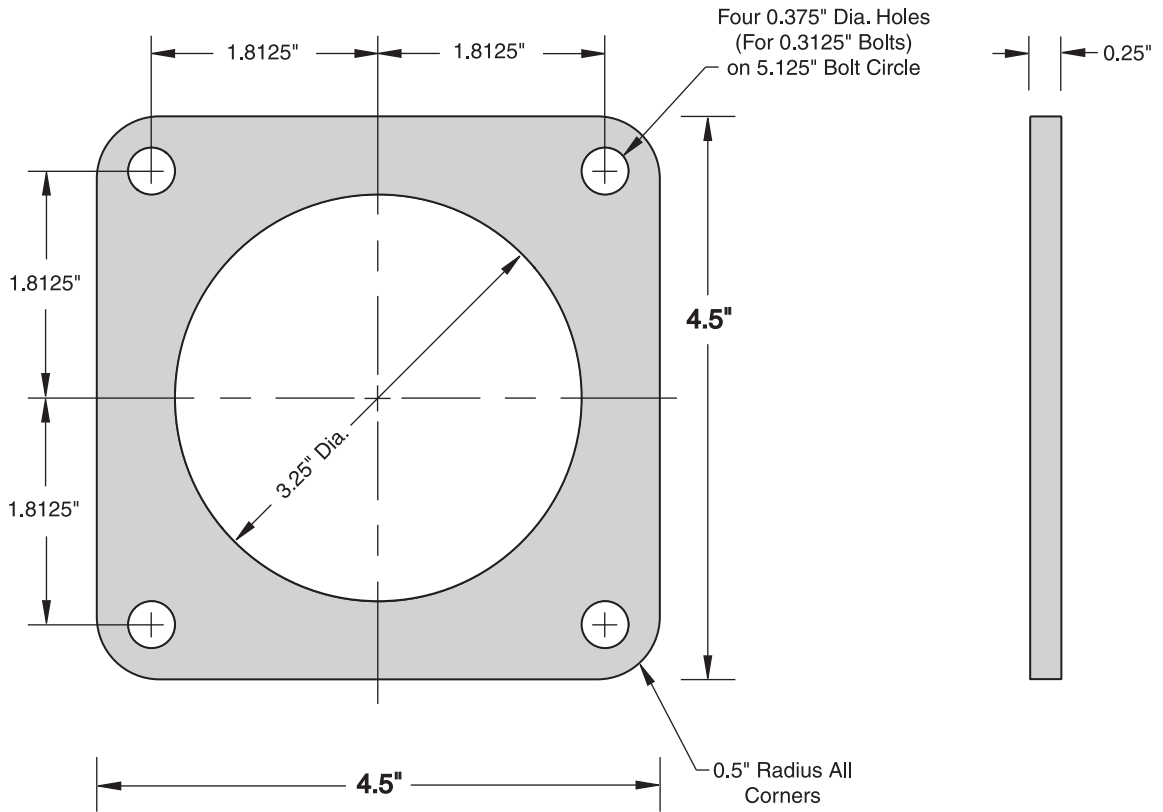




Bushing Clamp Ring

For Elliott Air-Insulated Bushings

Descriptive Bulletin
1902
 Page 1 2015



Recommended Mounting:
 Four 0.3125"-18 x 1.25"
 Studs on 5.125" Bolt Circle

Catalog Number	Description	Material
1902-CR4-A2F	Bushing Clamp Ring	0.25" 6061-T6 Aluminum Plate



Bushing Clamp Ring

For Elliott Air-Insulated Bushings

Descriptive
Bulletin
1902
Page 2 2015

If you do not find the design
you need

PLEASE CONTACT

our REPRESENTATIVE or the FACTORY