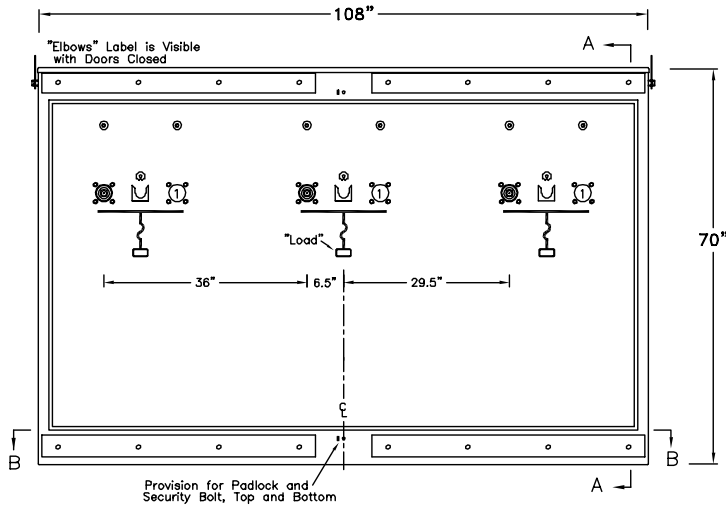
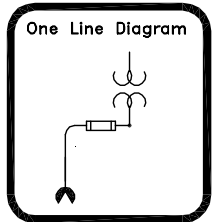


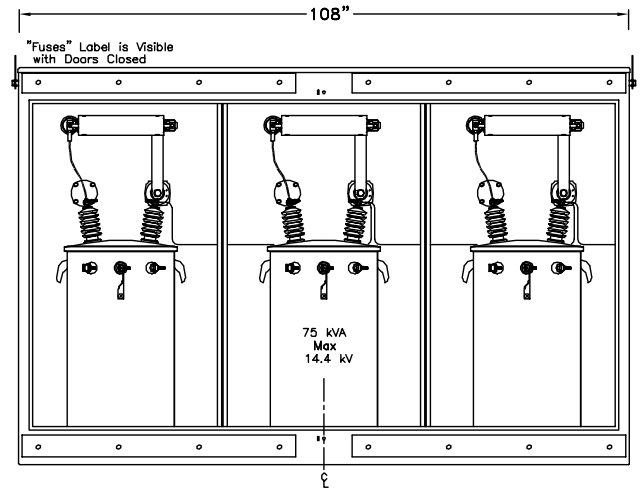
EPM-PTS-25-311P-E6-CM6-75KVA

Three-Phase — Two Ways per Phase
 600 Amp Elliott Air Insulated Bushings
 125 Amp (Max) 15.5 kV Clip Mounted CL Fuse Provisions
 15.2/26.3 kV Grd. Wye Max Design
 60 Hertz, 125 kV BIL

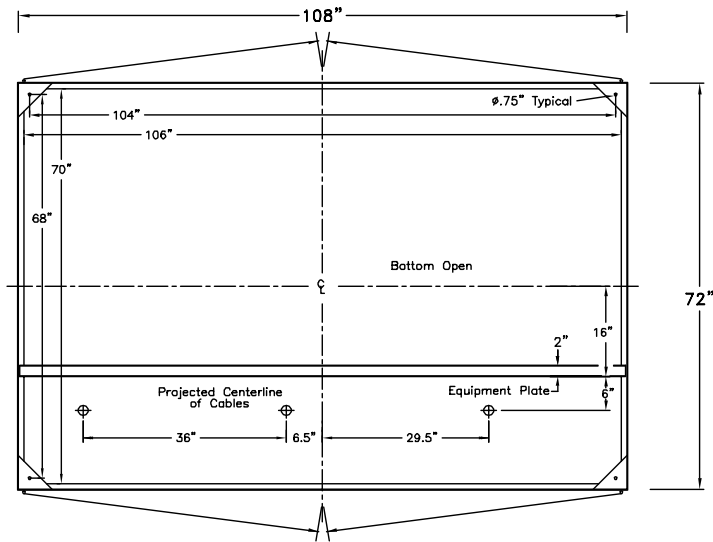


Front View
Doors Removed

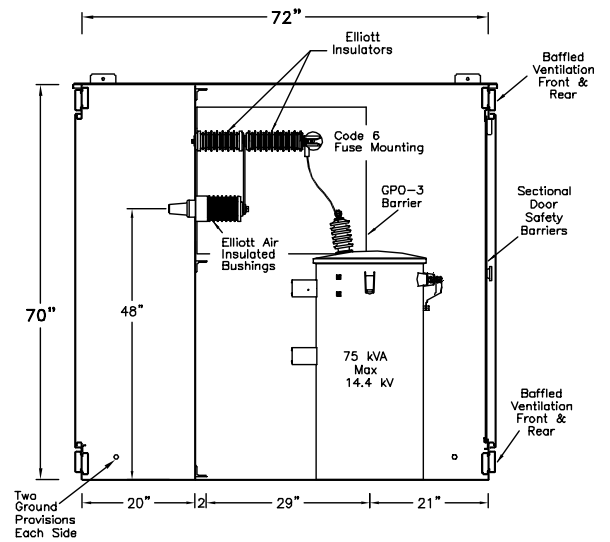
① Bushings may be added if circuit requirements change.



Rear View
Doors & Door Safety Barriers Removed



Section BB

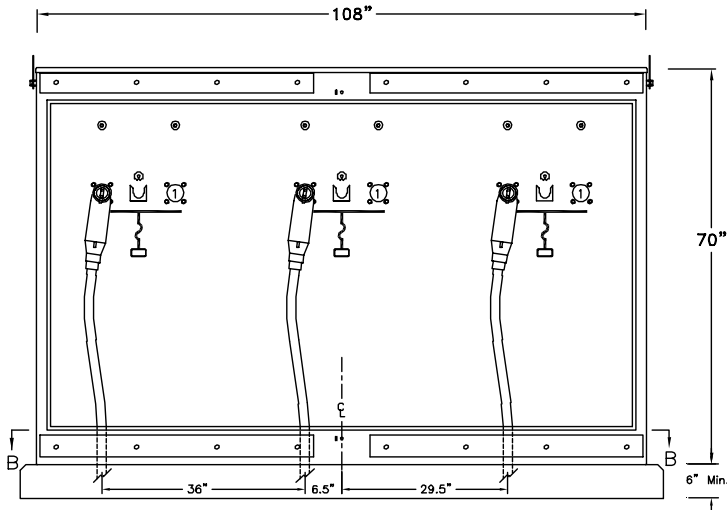
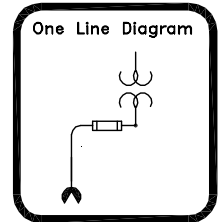


Section AA

- 11 Gauge Steel Enclosure
- Removable Cross Kinked Top
- Stainless Steel Hinges
- Stainless Steel Parking Stands
- Recessed Stainless Steel Penta Head Security Bolts
- Clear Polycarbonate Sectional Door Safety Barriers
- 8" Min Strike Distance to Ground
- 10" Min Strike Distance Phase to Phase
- Paint "Pad-Mount Green" Munsell #7GY 3.29/1.5

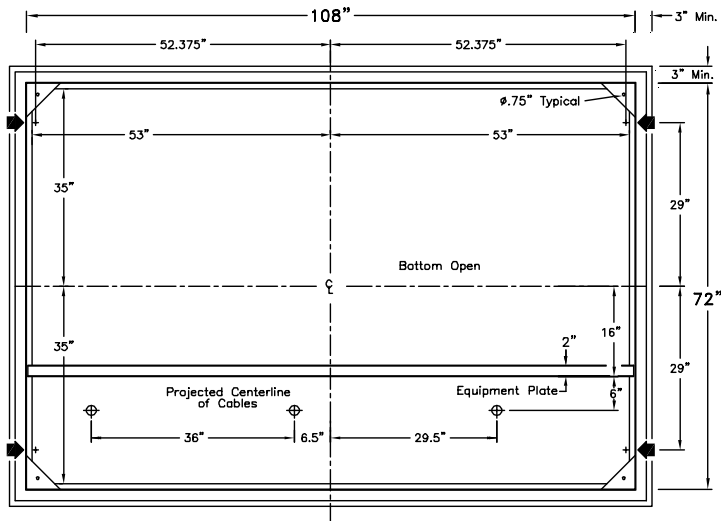
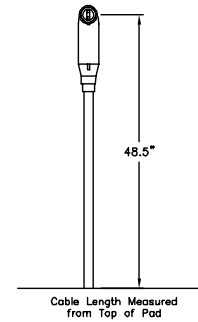
EPM-PTS-25-311P-E6-CM6-75KVA Layout		
Date: 09-16-99	File: D99361R0	Drawing No.:
By: R.M.	Approved by: JES	99-361-1
Elliott Industries, Inc. Bossier City, Louisiana 71171-6388 U.S.A.		

EPM-PTS-25-311P-E6-CM6-75KVA
 Proposed Cable Training and
 Typical Pad Requirements



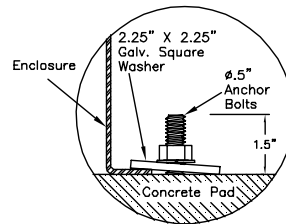
Front View
 Doors Removed

① Bushings may be added if circuit requirements change.

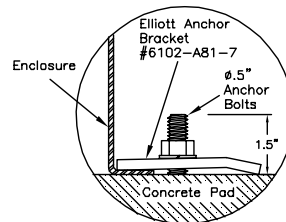


Section BB

+ ■ Anchor Bolt Locations



Alternate #1

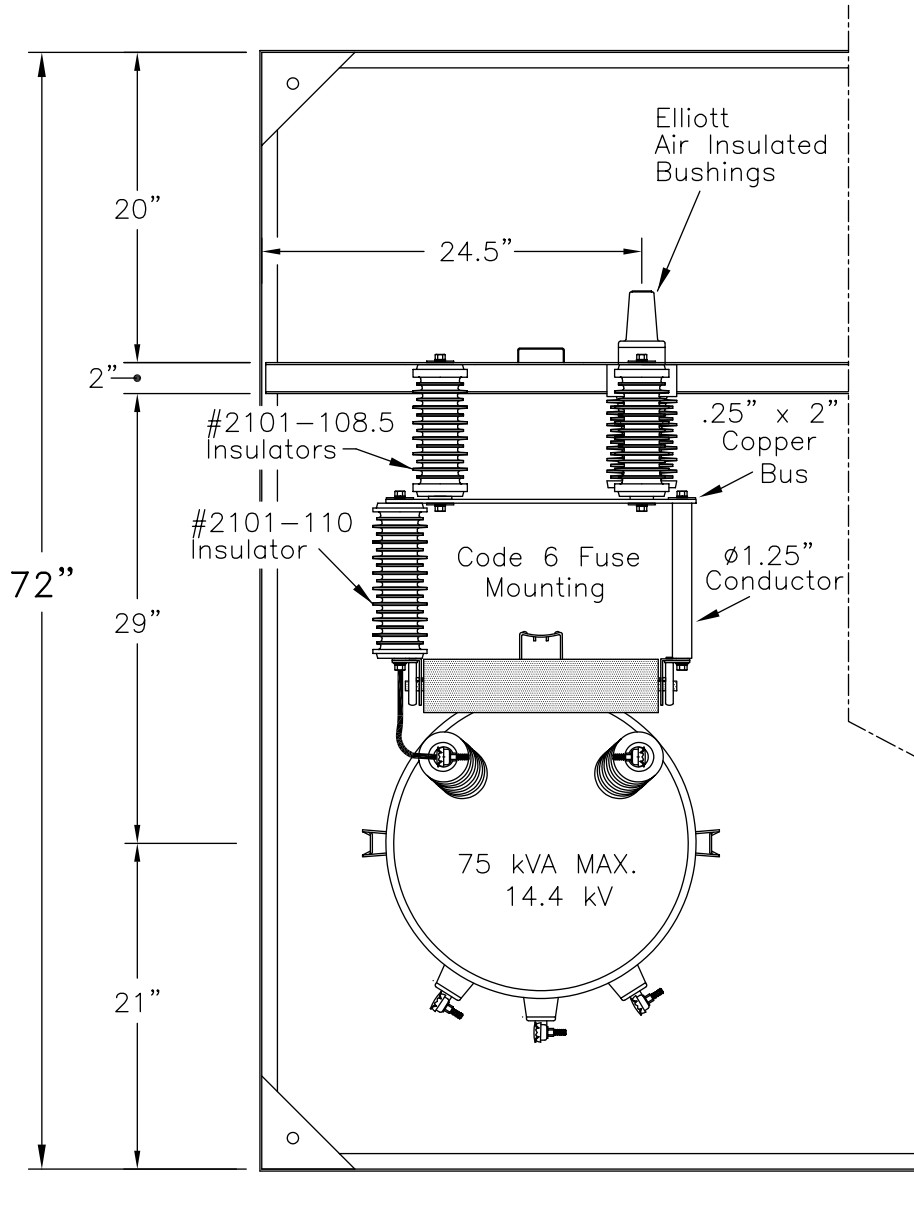
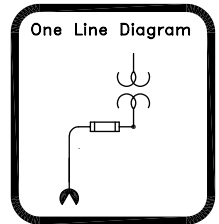


Alternate #2

EPM-PTS-25-311P-E6-CM6-75KVA Proposed Cable Training & Pad Requirements		
Date: 09-16-99	File: D99361R0	Drawing No.:
By: R.M.	Approved by: JES	99-361-2
Elliott Industries, Inc. Bossier City, Louisiana 71171-6388 U.S.A.		

EPM-PTS-25-311P-E6-CM6-75KVA

Three-Phase - Two Ways per Phase
 600 Amp Elliott Air Insulated Bushings
 125 Amp (Max) 15.5 kV Clip Mounted CL Fuse Provisions
 15.2/26.3 kV Grd. Wye Max Design
 60 Hertz, 125 kV BIL



Top View of One Phase

EPM-PTS-25-311P-E6-CM6-75KVA		
Top View of One Phase		
Date: 09-16-99	File: D99361R0	Drawing No.:
By: R.M.	Approved by: JES	99-361-3
Elliott Industries, Inc. Bossier City, Louisiana 71171-6388 U.S.A.		