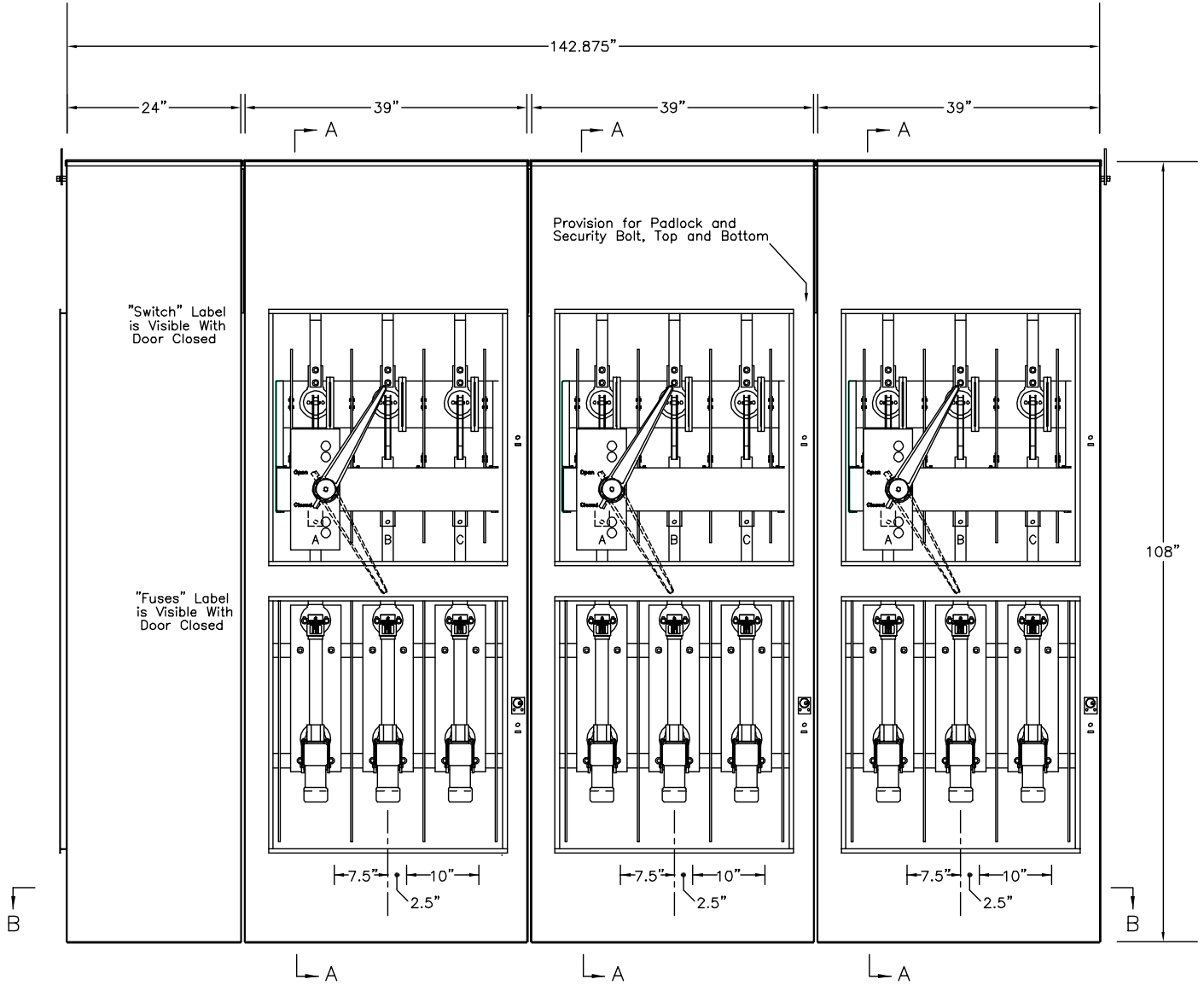
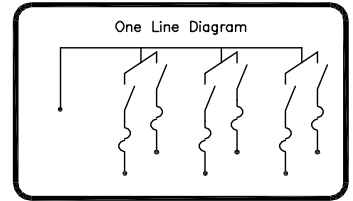


# EPMHG-15-316S-LT-SM4

Three Phase - Seven Ways per Phase  
 1200 Amp Copper Main Bus  
 600 Amp Three Pole Load Interrupter Switch  
 200 Amp (Max) S&C SM-4Z Power Fuse Mounting  
 8.3/14.4 kV Grounded Wye Max Design  
 95 kV BIL



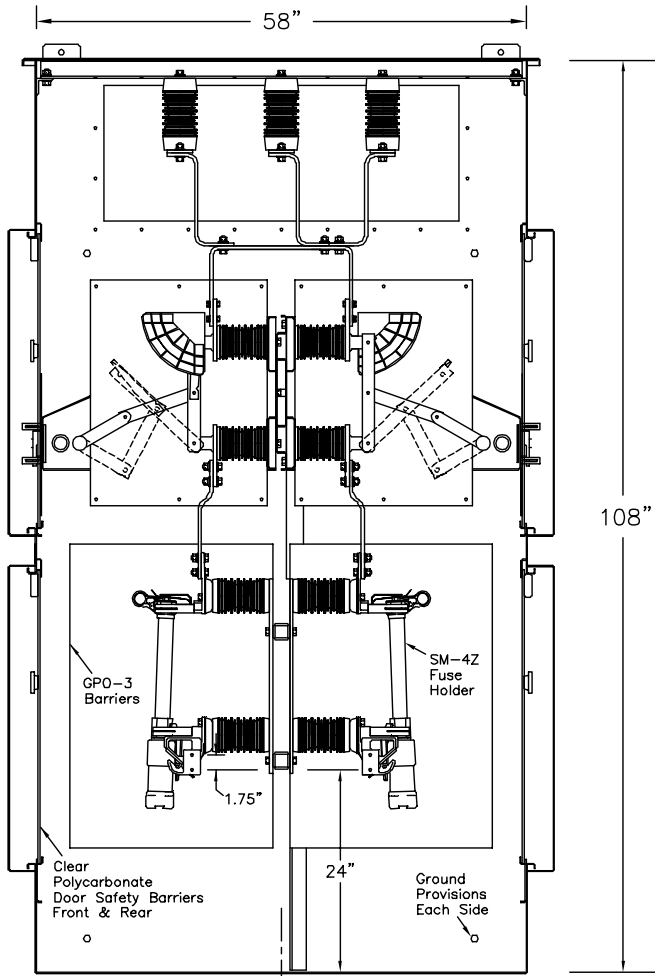
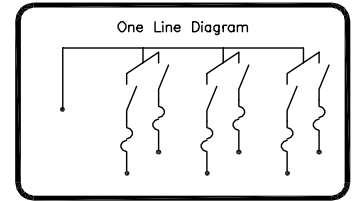
**Front View**  
 Doors & Door Safety  
 Barriers Removed

11 Gauge Steel Enclosure  
 Cross Kinked Top  
 Stainless Steel Hinges  
 Recessed Stainless Steel Penta Head Security Bolts  
 Clear Polycarbonate Door Safety Barriers  
 6" Min Strike Distance to Ground  
 8" Min Strike Distance Phase to Phase  
 Paint "Pad-Mount Green" Munsell #7GY 3.29/1.5

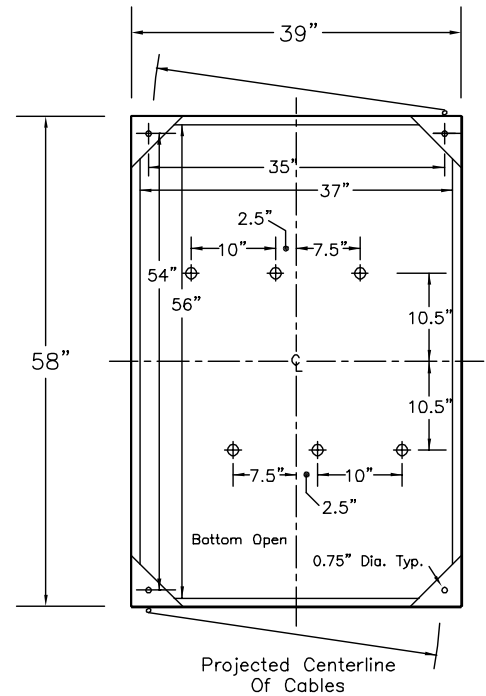
<b>EPMHG-15-316S-LT-SM4</b>		
<b>Layout</b>		
Date: 04/28/94	File: D94002R0	Drawing No.:
By: JES	Version: 0.0	<b>94-2 -1</b>
<b>Elliott Industries, Inc.</b>		
Bossier City, Louisiana 71171-6388 U.S.A.		

# EPMHG-15-316S-LT-SM4

Three Phase - Seven Ways per Phase  
 1200 Amp Copper Main Bus  
 600 Amp Three Pole Load Interrupter Switch  
 200 Amp (Max) S&C SM-4Z Power Fuse Mounting  
 8.3/14.4 kV Grounded Wye Max Design  
 95 kV BIL



Section AA



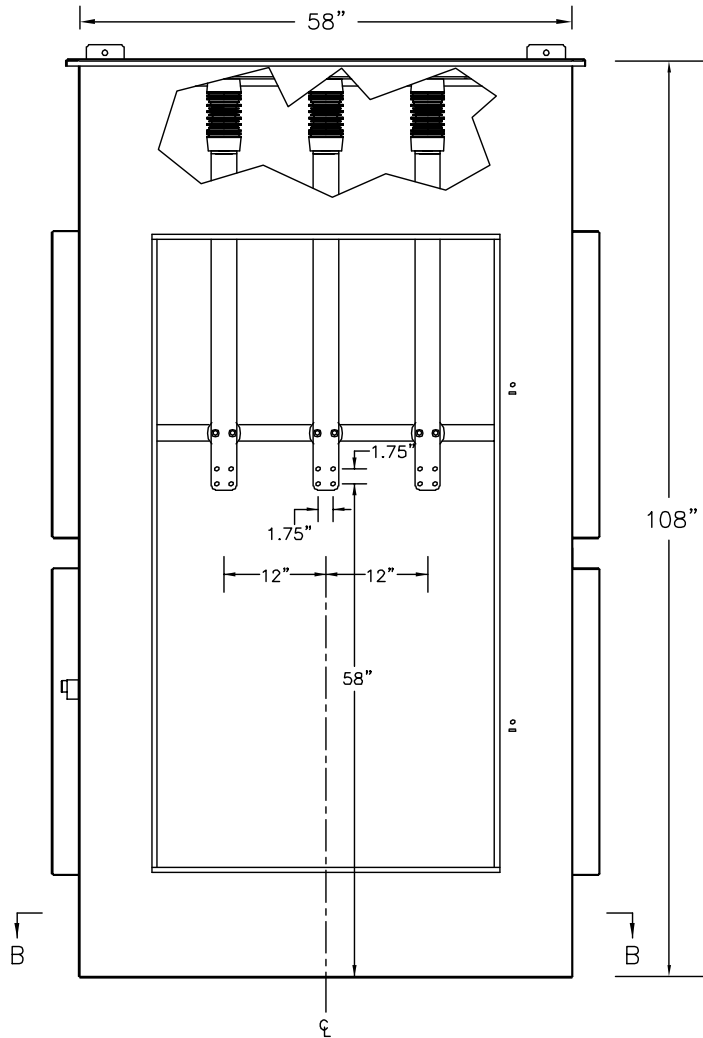
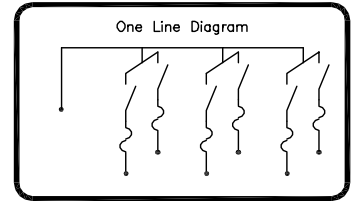
Section BB

11 Gauge Steel Enclosure  
 Cross Kinked Top  
 Stainless Steel Hinges  
 Recessed Stainless Steel Penta Head Security Bolts  
 Clear Polycarbonate Door Safety Barriers  
 6" Min Strike Distance to Ground  
 8" Min Strike Distance Phase to Phase  
 Paint "Pad-Mount Green" Munsell #7GY 3.29/1.5

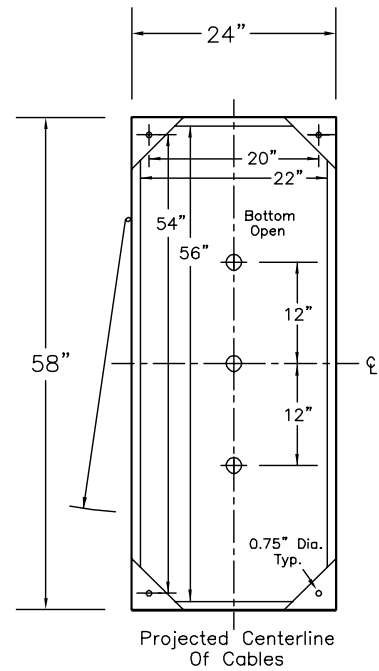
EPMHG-15-316S-LT-SM4		
Layout		
Date: 04/28/94	File: D94002R0	Drawing No.:
By: JES	Version: 0.0	94-2 -2
<b>Elliott Industries, Inc.</b> Bossier City, Louisiana 71171-6388 U.S.A.		

# EPMHG-15-316S-LT-SM4

Three Phase - Seven Ways per Phase  
 1200 Amp Copper Main Bus  
 600 Amp Three Pole Load Interrupter Switch  
 200 Amp (Max) S&C SM-4Z Power Fuse Mounting  
 8.3/14.4 kV Grounded Wye Max Design  
 95 kV BIL



**End View**  
 Door & Door Safety  
 Barrier Removed



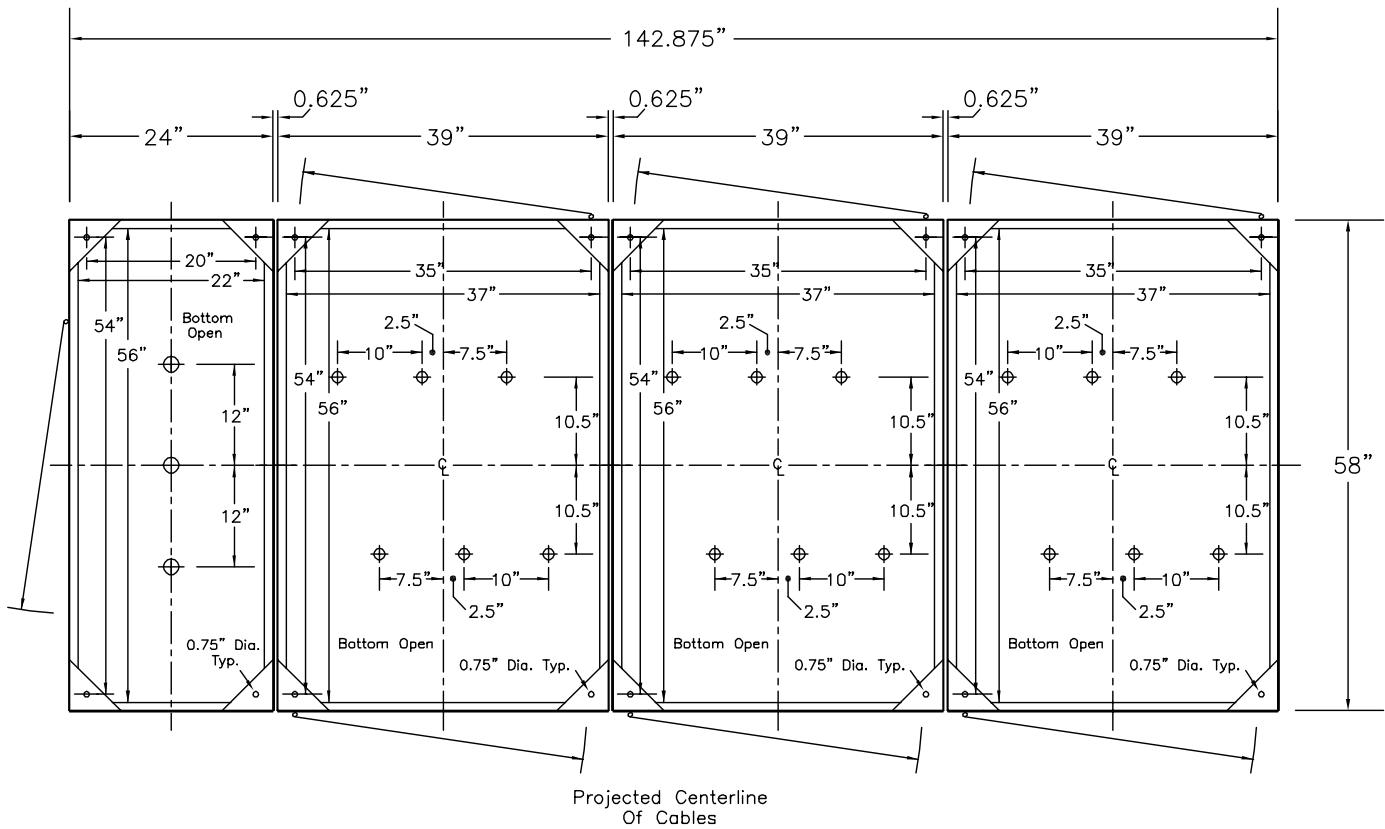
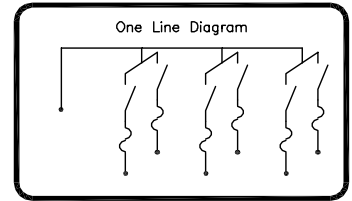
**Section BB**

11 Gauge Steel Enclosure  
 Cross Kinked Top  
 Stainless Steel Hinges  
 Recessed Stainless Steel Penta Head Security Bolts  
 Clear Polycarbonate Door Safety Barriers  
 6" Min Strike Distance to Ground  
 8" Min Strike Distance Phase to Phase  
 Paint "Pad-Mount Green" Munsell #7GY 3.29/1.5

<b>EPMHG-15-316S-LT-SM4</b>		
<b>Layout</b>		
Date: 04/28/94	File: D94002R0	Drawing No.:
By: JES	Version: 0.0	<b>94-2 -3</b>
<b>Elliott Industries, Inc.</b>		
Bossier City, Louisiana 71171-6388 U.S.A.		

# EPMHG-15-316S-LT-SM4

Three Phase - Seven Ways per Phase  
 1200 Amp Copper Main Bus  
 600 Amp Three Pole Load Interrupter Switch  
 200 Amp (Max) S&C SM-4Z Power Fuse Mounting  
 8.3/14.4 kV Grounded Wye Max Design  
 95 kV BIL



Section BB

11 Gauge Steel Enclosure  
 Cross Kinked Top  
 Stainless Steel Hinges  
 Recessed Stainless Steel Penta Head Security Bolts  
 Clear Polycarbonate Door Safety Barriers  
 6" Min Strike Distance to Ground  
 8" Min Strike Distance Phase to Phase  
 Paint "Pad-Mount Green" Munsell #7GY 3.29/1.5

EPMHG-15-316S-LT-SM4		
Layout		
Date: 04/28/94	File: D94002RO	Drawing No.:
By: JES	Version: 0.0	94-2 -4
<b>Elliott Industries, Inc.</b> Bossier City, Louisiana 71171-6388 U.S.A.		