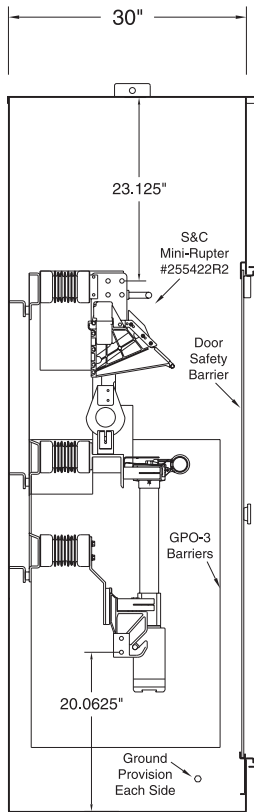
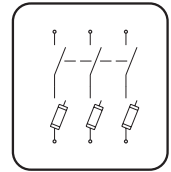
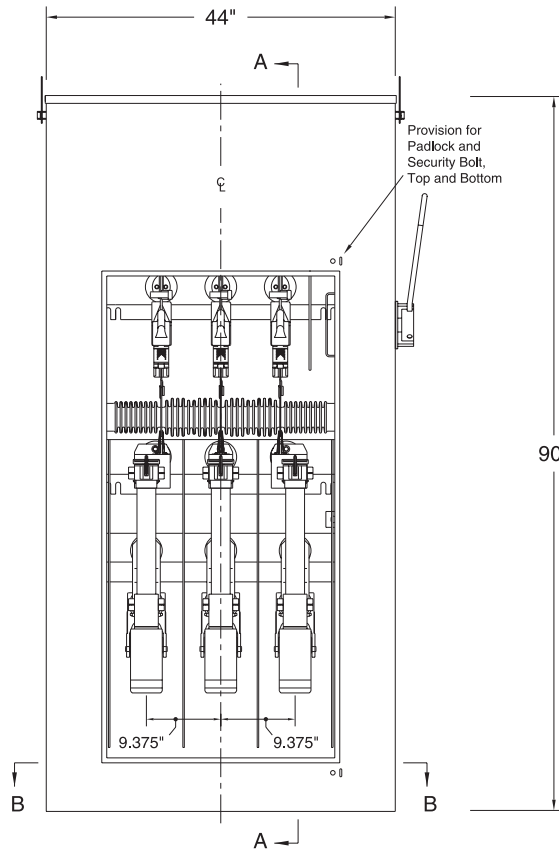


EPMHG-15-311S-LT-RHMR/SM5-D9249-1

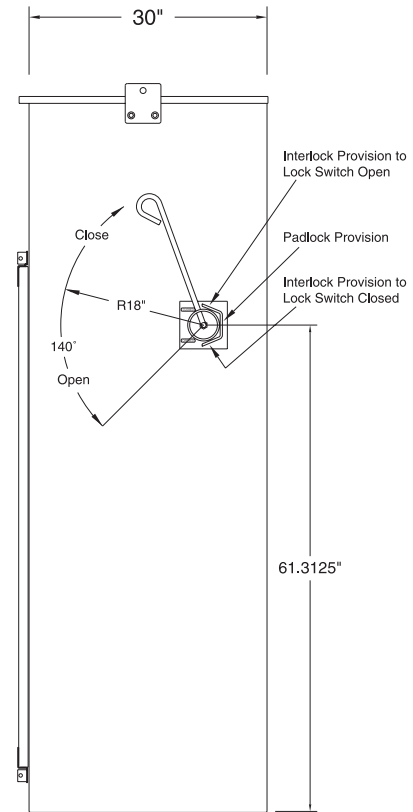
Three Phase - Two Ways per Phase
 600 Amp 15 kV S&C Mini-Rupter Switch
 400E Amp (Max) S&C SM-5S Fuse Provisions
 8,3/14.4 kV Grounded Wye Max Design
 95 kV BIL



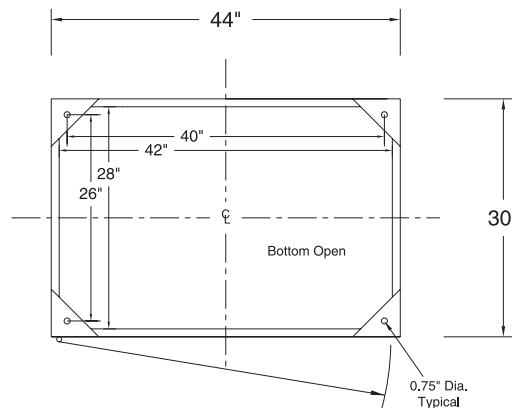
Section AA



Front View
 Door and Door Safety
 Barrier Removed



Side View



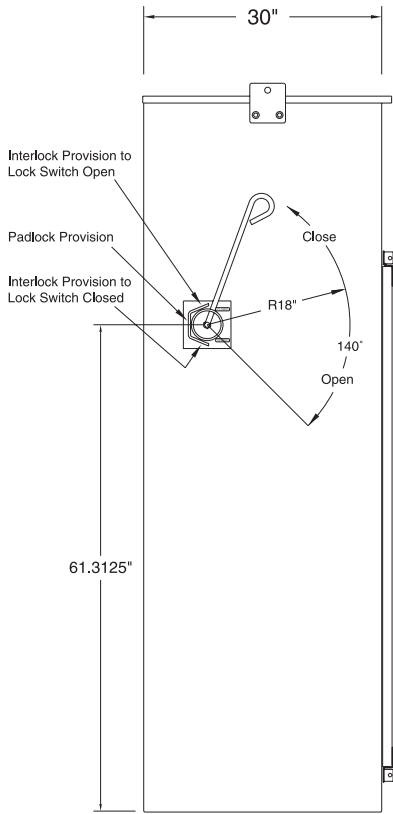
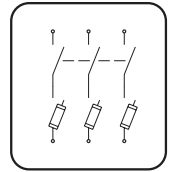
Section BB

- 11 Gauge Steel Enclosure
- Cross Kinked Top
- Stainless Steel Hinges
- Recessed Stainless Steel Hex Head Security Bolts
- Clear Polycarbonate Door Safety Barrier
- 6" Min Strike Distance to Ground
- 8" Min Strike Distance Phase to Phase
- Paint "Pad-Mount Green" Munsell #7GY 3.29/1.5
- Optional Paint "Light Grey" Munsell #5BG 7.0/0.4

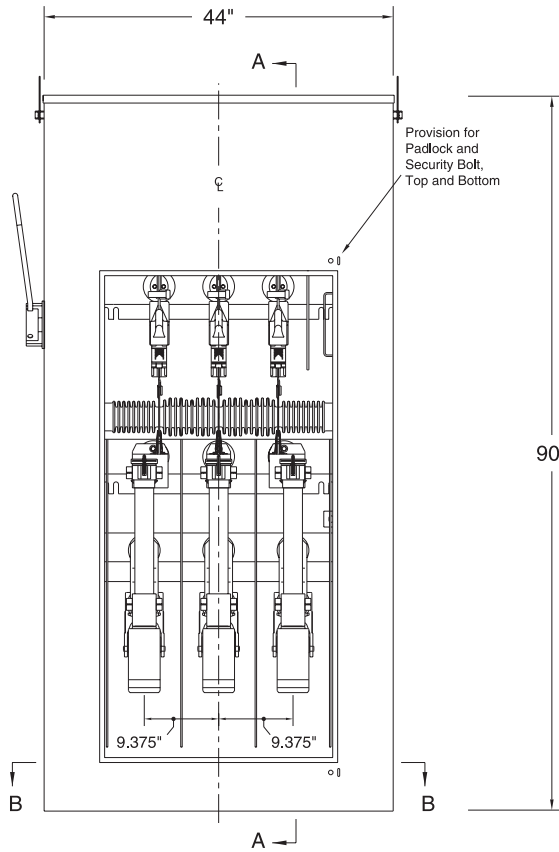
EPMHG-15-311S-LT-RHMR/SM5-D9249-1		
Layout		
Date: 04/17/92	File: D92049R0	Drawing No.:
By: Ivy	Version: 0.0	92-49-1
Elliott Industries, Inc. Bossier City, Louisiana 71171-6388 U.S.A.		

EPMHG-15-311S-LT-LHMR/SM5-D9249-2

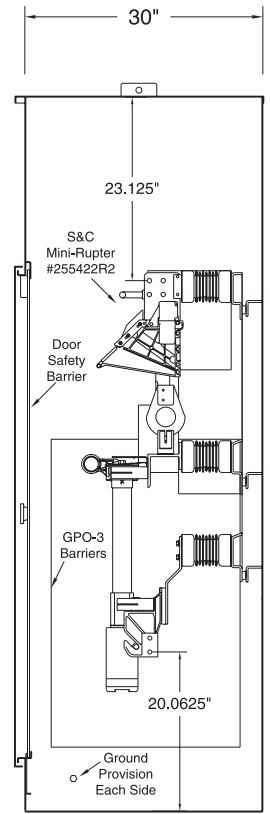
Three Phase - Two Ways per Phase
 600 Amp 15 kV S&C Mini-Rupter Switch
 400E Amp (Max) S&C SM-5S Fuse Provisions
 8.3/14.4 kV Grounded Wye Max Design
 95 kV BIL



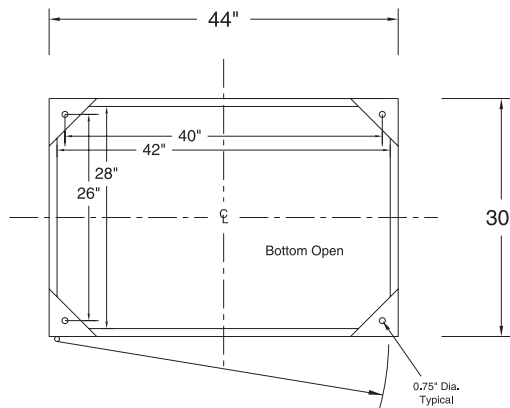
Side View



Front View
 Door and Door Safety
 Barrier Removed



Section AA



Section BB

11 Gauge Steel Enclosure
 Cross Kinked Top
 Stainless Steel Hinges
 Recessed Stainless Steel Hex Head Security Bolts
 Clear Polycarbonate Door Safety Barrier
 6" Min Strike Distance to Ground
 8" Min Strike Distance Phase to Phase
 Paint "Pad-Mount Green" Munsell #7GY 3.29/1.5
 Optional Paint "Light Grey" Munsell #5BG 7.0/0.4

EPMHG-15-311S-LT-LHMR/SM5-D9249-2		
Layout		
Date: 04/17/92	File: D92049R0	Drawing No.:
By: Ivy	Version: 0.0	92-49-2
Elliott Industries, Inc. Bossier City, Louisiana 71171-6388 U.S.A.		